



SH67P847

OTP 1K 4-bit micro-controller with 10-bit SAR ADC

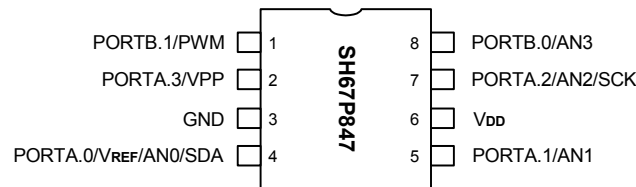
Features

- SH6610C-Based Single-Chip 4-bit Micro-Controller With 10-bit SAR ADC
- OTP ROM: 1K X 16bits
- RAM: 124 X 4bits
 - 28 System Control Registers
 - 96 Data Memory
- Operation Voltage:
 - $f_{osc} = 16\text{MHz}$, $V_{DD} = 3.3\text{V} - 5.5\text{V}$
- 6 CMOS Bi-Directional I/O Pins
- 4-Level Stack (Including Interrupts)
- One 8-bit Auto Re-Loaded Timer
- Warm-Up Timer
- Powerful Interrupt Sources:
 - A/D Interrupt
 - Timer0 Interrupt
 - External Interrupts: PORTA.3 (Falling Edge)
- Oscillator
 - Internal RC Oscillator: 16MHz
- Instruction Cycle Time ($16/f_{osc}$)
- Two Low Power Operation Modes: HALT And STOP
- Reset
 - Built-in Power-on Reset (POR)
 - Built-in Low Voltage Reset (LVR) (Code Option)
 - Built-in Watchdog Timer (WDT) (Code Option)
- 4 Channels 10-bit Resolution Analog/Digital Converter (ADC)
- 1 Channels 9-bit PWM Output
- OTP Type/Code Protection
- 8-pin SOP package available

General Description

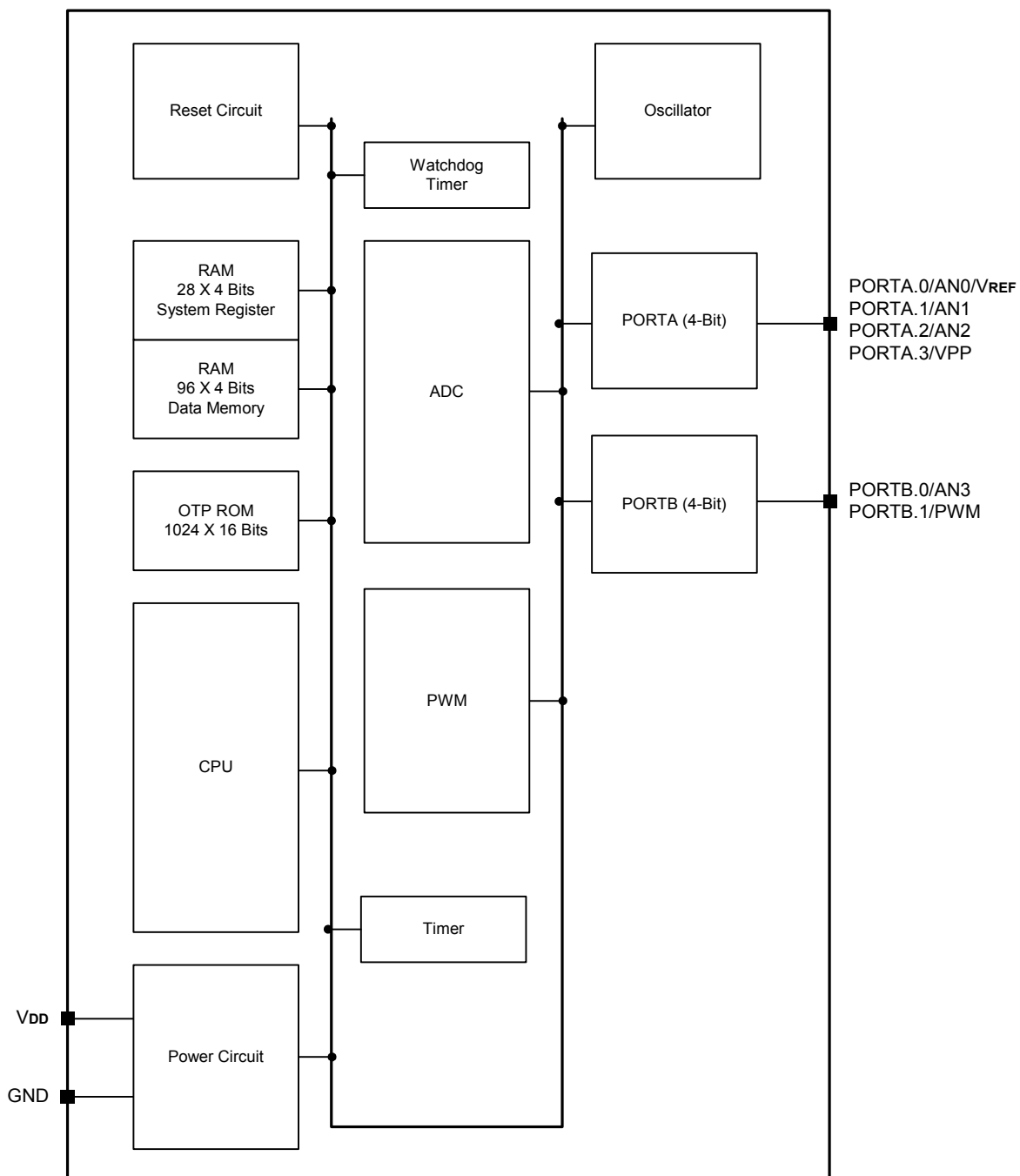
SH67P847 is a single-chip 4-bit micro-controller. This device integrates a SH6610C CPU core, RAM, ROM, timer, ADC, high speed PWM output, watch dog timer, low voltage reset. The SH67P847 is suitable for charger application.

Pin Configuration





Block Diagram



**Pin Descriptions**

Pin No.	Pin Name	I/O	Description
1	PORTB.1 /PWM	I/O O	Bit programmable I/O PWM output pin
2	PORTA.3 -	I/O I	Bit programmable I/O (Open drain type) Vector Interrupt. (Active falling edge)
3	GND	P	Ground pin
4	PORTA.0 /AN0 /VREF	I/O I I	Bit programmable I/O ADC input pin ADC VREF input pin
5	PORTA.1 /AN1	I/O I	Bit programmable I/O ADC input pin
6	VDD	P	Power supply pin
7	PORTA.2 /AN2	I/O	Bit programmable I/O ADC input pin
8	PORTB.0 /AN3	I/O I	Bit programmable I/O ADC input pin

Which, I: Input; O: Output; P: Power; Z: High impedance

OTP Programming Pin Description (OTP Program Mode)

Pin No.	Symbol	I/O	Sharing Pin	Description
6	VDD	P	VDD	Programming power supply (+5.5V)
2	VPP	P	PORTA.3	Programming high voltage power supply (+11V)
3	GND	P	GND	Ground
7	SCK	I	PORTA.2	Programming clock input pin
4	SDA	I/O	PORTA.0	Programming data pin

Which, I: Input; O: Output; P: Power; Z: High impedance



Functional Description

1. CPU

The CPU contains the following functional blocks: Program Counter (PC), Arithmetic Logic Unit (ALU), Carry Flag (CY), Accumulator, Table Branch Register, Data Pointer (INX, DPH, DPM, and DPL) and Stacks.

1.1. PC

The PC is used for ROM addressing consisting of 12-bit: Page Register (PC11), and Ripple Carry Counter (PC10, PC9, PC8, PC7, PC6, PC5, PC4, PC3, PC2, PC1, PC0).

The program counter is loaded with data corresponding to each instruction. The unconditional jump instruction (JMP) can be set at 1-bit page register for higher than 2K.

The program counter can only 4K program ROM address. (Refer to the ROM description).

1.2. ALU and CY

The ALU performs arithmetic and logic operations. The ALU provides the following functions:

Binary addition/subtraction (ADC, SBC, ADD, SUB, ADI, SBI)

Decimal adjustments for addition/subtraction (DAA, DAS)

Logic operations (AND, EOR, OR, ANDIM, EORIM, ORIM)

Decisions (BA0, BA1, BA2, BA3, BAZ, BNZ, BC, BNC)

Logic Shift (SHR)

The Carry Flag (CY) holds the ALU overflow that the arithmetic operation generates. During an interrupt service or CALL instruction, the carry flag is pushed into the stack and recovered from the stack by the RTNI instruction. It is unaffected by the RTNW instruction.

1.3. Accumulator (AC)

The accumulator is a 4-bit register holding the results of the arithmetic logic unit. In conjunction with the ALU, data is transferred between the accumulator and system register, or data memory can be performed.

2. RAM

Built-in RAM contains general-purpose data memory and system register. Because of its static nature, the RAM can keep data after the CPU entering STOP or HALT.

2.1. RAM Addressing

Data memory and system register can be accessed in one instruction by direct addressing. The following is the memory allocation map:

System register: \$000 - \$01F

Data memory: \$020 - \$07F

1.4. Table Branch Register (TBR)

Table Data can be stored in program memory and can be referenced by using Table Branch (TJMP) and Return Constant (RTNW) instructions. The TBR and AC are placed by an offset address in program ROM. TJMP instruction branch into address $((PC11 - PC8) \times 2^8) + (TBR, AC)$. The address is determined by RTNW to return look-up value into (TBR, AC). ROM code bit7-bit4 is placed into TBR and bit3-bit0 into AC.

1.5. Data Pointer

The Data Pointer can indirectly address data memory. Pointer address is located in register DPH (3-bit), DPM (3-bit) and DPL (4-bit). The addressing range can have 3FFH locations. Pseudo index address (INX) is used to read or write Data memory, then RAM address Bit9-0 which comes from DPH, DPM and DPL.

1.6. Stack

The stack is a group of registers used to save the contents of CY & PC (11-0) sequentially with each subroutine call or interrupt. The MSB is saved for CY and it is organized into 13 bits X 4 levels. The stack is operated on a first-in, last-out basis and returned sequentially to the PC with the return instructions (RTNI/RTNW).

Note:

The stack nesting includes both subroutine calls and interrupts requests. The maximum allowed for subroutine calls and interrupts are 4 levels. If the number of calls and interrupt requests exceeds 4, then the bottom of stack will be shifted out, that program execution may enter an abnormal state.



2.2. Configuration of System Register

Address	Bit 3	Bit 2	Bit 1	Bit 0	R/W	Remarks
\$00	IEAD	IET0	-	IEP	R/W	Interrupt enable flags register
\$01	IRQAD	IRQT0	-	IRQP	R/W	Interrupt request flags register
\$02	-	T0M.2	T0M.1	T0M.0	R/W	Bit2-0: Timer0 Mode register
\$03	T0L.3	T0L.2	T0L.1	T0L.0	R/W	Timer0 load/counter low nibble register
\$04	T0H.3	T0H.2	T0H.1	T0H.0	R/W	Timer0 load/counter high nibble register
\$05	PA.3	PA.2	PA.1	PA.0	R/W	PORTA data register
\$06	-	-	PB.1	PB.0	R/W	PORTB data register
\$07	VREFS	CH1	CH0	ADCON	R/W	Bit0: ADC module operate control register Bit2-1: ADC channel control register Bit3: ADC reference voltage control register
\$08	ACR3	ACR2	ACR1	ACR0	R/W	Bit3 - 0: ADC port configuration register
\$09	GO/DONE	TADC1	TADC0	ADCS	R/W	Bit0: ADC conversion time control register Bit1-0: ADC clock period control register Bit3: ADC status flag register
\$0A	A2	A1	A0	-	R	ADC data low nibble register
\$0B	A6	A5	A4	A3	R	ADC data medium nibble register
\$0C	-	A9	A8	A7	R	ADC data high nibble register
\$0D	-	-	-	-	R/W	Reserved
\$0E	TBR.3	TBR.2	TBR.1	TBR.0	R/W	Table Branch register
\$0F	INX.3	INX.2	INX.1	INX.0	R/W	Pseudo index register
\$10	DPL.3	DPL.2	DPL.1	DPL.0	R/W	Data pointer for INX low nibble register
\$11	-	DPM.2	DPM.1	DPM.0	R/W	Data pointer for INX middle nibble register
\$12	-	DPH.2	DPH.1	DPH.0	R/W	Data pointer for INX high nibble register
\$13	PACR.3	PACR.2	PACR.1	PACR.0	R/W	PORTA input/output control register
\$14	-	-	PBCR.1	PBCR.0	R/W	PORTB input/output control register
\$15	PWMS	TCK1	TCK0	PWM_EN	R/W	Bit0: PWM output control register Bit2-1: PWM clock source control register Bit3: PWM output mode control register
\$16	PP.3	PP.2	PP.1	PP.0	R/W	PWM period low nibble register
\$17	PP.7	PP.6	PP.5	PP.4	R/W	PWM period high nibble register
\$18	-	-	-	PDF.0	R/W	PWM duty fine tune register
\$19	PD.3	PD.2	PD.1	PD.0	R/W	PWM duty low nibble register
\$1A	PD.7	PD.6	PD.5	PD.4	R/W	PWM duty high nibble register
\$1B	-	PPACR.2	PPACR.1	PPACR.0	R/W	PORTA pull-high control register
\$1C	-	-	PPBCR.1	PPBCR.0	R/W	PORTB pull-high control register
\$1D	-	-	-	-	-	Reserved
\$1E	- WDT	WDT.2 -	WDT.1 -	WDT.0 -	R/W R	Bit2-0: Watchdog timer control register Bit3: WDT overflow flag register
\$1F	-	-	-	-	-	Reserved

**3. ROM**

The ROM can address 1024 X 16 bits of program area from \$000 to \$3FF.

3.1. Vector Address Area (\$000 to \$004)

The program is sequentially executed. There is an area address \$000 through \$004 that is reserved for a special interrupt service routine such as starting vector address.

Address	Instruction	Remarks
\$000	JMP*	Jump to RESET service routine
\$001	JMP*	Jump to ADC interrupt service routine
\$002	JMP*	Jump to TIMERO interrupt service routine
\$003	JMP*	-
\$004	JMP*	Jump to Port interrupt service routine

*JMP instruction can be replaced by any instruction.



4. Initial State

4.1. System Register State

Address	Bit 3	Bit 2	Bit 1	Bit 0	Power-on Reset /Low Voltage Reset	WDT Reset
\$00	IEAD	IETO	-	IEP	00-0	00-0
\$01	IRQAD	IRQT0	-	IRQP	00-0	00-0
\$02	-	TOM.2	TOM.1	TOM.0	-000	-uuu
\$03	TOL.3	TOL.2	TOL.1	TOL.0	xxxx	xxxx
\$04	TOH.3	TOH.2	TOH.1	TOH.0	xxxx	xxxx
\$05	PA.3	PA.2	PA.1	PA.0	0000	0000
\$06	-	-	PB.1	PB.0	--00	--00
\$07	VREFS	CH1	CH0	ADCON	0000	uuuu
\$08	ACR3	ACR2	ACR1	ACR0	0000	uuuu
\$09	GO/DONE	TADC1	TADC0	ADCS	0000	0uuu
\$0A	A2	A1	A0	-	xxxx	uuuu
\$0B	A6	A5	A4	A3	xxxx	uuuu
\$0C	-	A9	A8	A7	-xxx	-uuu
\$0D	-	-	-	-	----	----
\$0E	TBR.3	TBR.2	TBR.1	TBR.0	xxxx	uuuu
\$0F	INX.3	INX.2	INX.1	INX.0	xxxx	uuuu
\$10	DPL.3	DPL.2	DPL.1	DPL.0	xxxx	uuuu
\$11	-	DPM.2	DPM.1	DPM.0	-xxx	-uuu
\$12	-	DPH.2	DPH.1	DPH.0	-xxx	-uuu
\$13	PACR.3	PACR.2	PACR.1	PACR.0	0000	0000
\$14	-	-	PBCR.1	PBCR.0	--00	--00
\$15	PWMS	TCK1	TCK0	PWM_EN	0000	uuu0
\$16	PP.3	PP.2	PP.1	PP.0	xxxx	uuuu
\$17	PP.7	PP.6	PP.5	PP.4	xxxx	uuuu
\$18	-	-	-	PDF.0	---x	---u
\$19	PD.3	PD.2	PD.1	PD.0	xxxx	uuuu
\$1A	PD.7	PD.6	PD.5	PD.4	xxxx	uuuu
\$1B	-	PPACR.2	PPACR.1	PPACR.0	-000	-000
\$1C	-	-	PPBCR.1	PPBCR.0	--00	--00
\$1D	-	-	-	-	----	----
\$1E	WDT	WDT.2	WDT.1	WDT.0	0000	1000
\$1F	-	-	-	-	----	----

Legend: x = unknown, u = unchanged, - = unimplemented read as "0".

4.2. Others Initial States

Others	After any Reset
Program Counter (PC)	\$000
CY	Undefined
Accumulator (AC)	Undefined
Data Memory	Undefined



5. System Clock and Oscillator

The oscillator generates the basic clock pulses that provide the system clock to supply CPU and on-chip peripherals.

System clock $f_{sys} = f_{osc}/16$

5.1. Instruction Cycle Time

1MHz (= 1 μ s) for 16MHz oscillator.



6. I/O Ports

The MCU provides 6 bi-directional I/O ports. The PORT data is put in register (\$05 - \$06). The PORT control register (\$13 - \$14) controls the PORT as input or output. Each I/O port (excluding PORTA.3) contains a pull-high resistor, which is controlled by the value of the corresponding bit in the port pull-high control register (\$1B - \$1C), independently.

- When the port is selected as an input port, write "1" to the relevant bit in the port pull-high control register (\$1B - \$1C) could turn on the pull-high resistor and write "0" could turn off the pull-high resistor.
- When the port is selected as an output port, the pull-high resistor will be turned off automatically, regardless the value of the corresponding bit in the port pull-high control register (\$1B - \$1C).
- When PORTA.3 is selected as the digital input direction, it can active port interrupt by falling edge (if port interrupt is enable).

System Register \$05 - \$06: Port Data Register

Address	Bit 3	Bit 2	Bit 1	Bit 0	R/W	Remarks
\$05	PA.3	PA.2	PA.1	PA.0	R/W	PORTA data register
\$06	-	-	PB.1	PB.0	R/W	PORTB data register

System Register \$13 - \$14: Port Control Register

Address	Bit 3	Bit 2	Bit 1	Bit 0	R/W	Remarks
\$13	PACR.3	PACR.2	PACR.1	PACR.0	R/W	PORTA input/output control register
\$14	-	-	PBCR.1	PBCR.0	R/W	PORTB input/output control register

PA (/B) CR.n, (n = 0, 1, 2, 3)

0: Set I/O as an input direction. (Power on initial)

1: Set I/O as an output direction.

System Register \$1B - \$1C: Port Pull-high Control Register

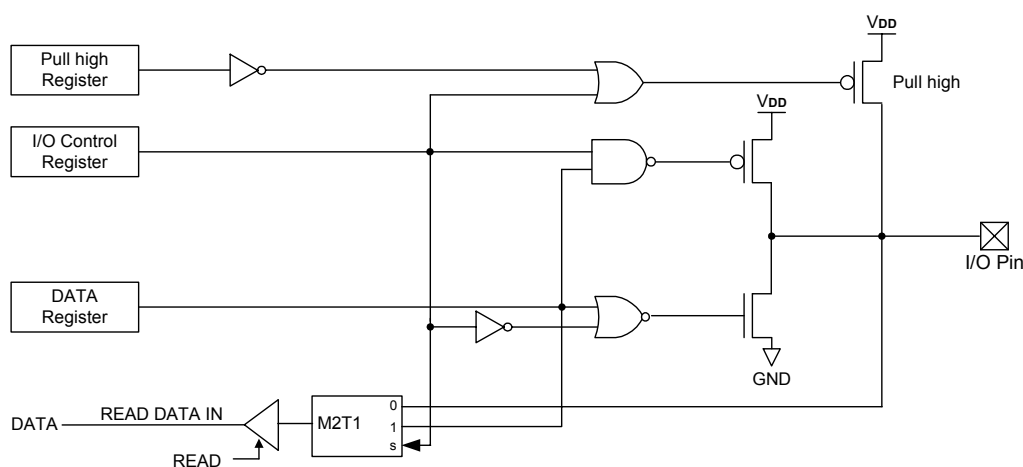
Address	Bit 3	Bit 2	Bit 1	Bit 0	R/W	Remarks
\$1B	-	PPACR.2	PPACR.1	PPACR.0	R/W	PORTA pull-high control register
\$1C	-	-	PPBCR.1	PPBCR.0	R/W	PORTB pull-high control register

PPA (/B) CR.n, (n = 0, 1, 2)

0: Disable internal pull-high resistor. (Power on initial)

1: Enable internal pull-high resistor.

Equivalent Circuit for a Single I/O Pin



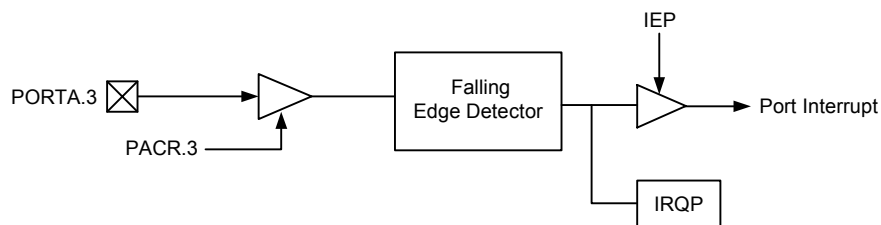


- In SH67P847, each output port contains a latch, which can hold the output data. Writing the port data register (PDR) under the output mode can directly transfer data to the corresponding pad.
All input ports do not have latches, so the external input data should be held externally until the input data is read from outside or reading the port data register (PDR) is read under the input mode.
When a digital I/O port is selected as an output, the reading of the associated port bit actually represents the value of the output data latch, not the voltage on the pad. When a digital I/O port is selected as an input, the reading of the associated port bit represents the status on the corresponding pad.
- PORTA.0 - 2 can be shared with ADC input channel (AN0 - 2).
- PORTA.0 can be shared with the reference voltage input (VREF).
- PORTB.0 can be shared with ADC input channel (AN3)
- PORTB.1 can be shared with PWM channel.

Port Interrupt

The PORTA.3 is used as external port interrupt sources. Since PORTA.3 is bit programmable I/O, only when the PORTA.3 is select as normal I/O input, the voltage transition from VDD to GND applying to the digital input port can generate a port interrupt.

Port Interrupts can be used to wake up the CPU from the HALT or the STOP mode.



Port interrupt function block-diagram



7. Timer

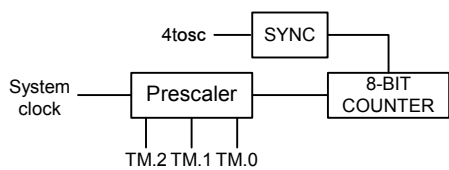
7.1. Timer0

SH67P847 has one 8-bit timer.

The timer/counter has the following features:

- 8-bit up-counting timer/counter.
- Automatic re-load counter.
- 8-level prescaler.
- Interrupt on overflow from \$FF to \$00.

The following is a simplified timer block diagram.



The timers provide the following functions:

- Programmable interval timer function.
- Read counter value.

7.1.1. Timer0 Configuration and Operation

The Timer0 consist of an 8-bit write-only timer load register (TLOL, TLOH) and an 8-bit read-only timer counter (TCOL, TCOH). Each of them has both low-order digits and high-order digits. Writing data into the timer load register (TLOL, TLOH) can initialize the timer counter.

7.1.2. Timer0 Mode Register

The Timer0 can be programmed in several different prescalers by setting the Timer0 Mode register (TOM).

The clock source pre-scale by the 8-level counter first, then generate the output plus to timer counter. The Timer Mode registers (TOM) are 3-bit registers used for the timer control as shown in Table 1.

Table 1. Timer0 Mode Register (\$02)

TOM.2	TOM.1	TOM.0	Prescaler Divide Ratio	Clock Source
0	0	0	$/2^{11}$	System clock
0	0	1	$/2^9$	System clock
0	1	0	$/2^7$	System clock
0	1	1	$/2^5$	System clock
1	0	0	$/2^3$	System clock
1	0	1	$/2^2$	System clock
1	1	0	$/2^1$	System clock
1	1	1	$/2^0$	System clock

The low-order digit should be written first, and then the high-order digit. The timer counter is automatically loaded with the contents of the load register when the high order digit is written or counter counts overflow from \$FF to \$00.

Timer Load Register: The register H controls the physical READ and WRITE operations.

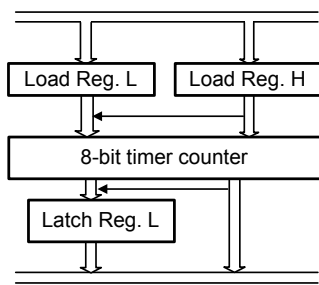
Please follow these steps:

Write Operation:

- Low nibble first
- High nibble to update the counter

Read Operation:

- High nibble first
- Low nibble followed.





8. Interrupt

Three interrupt sources are available on SH67P847:

- ADC interrupt
- Timer0 interrupt
- PORTA interrupt (Falling edge)

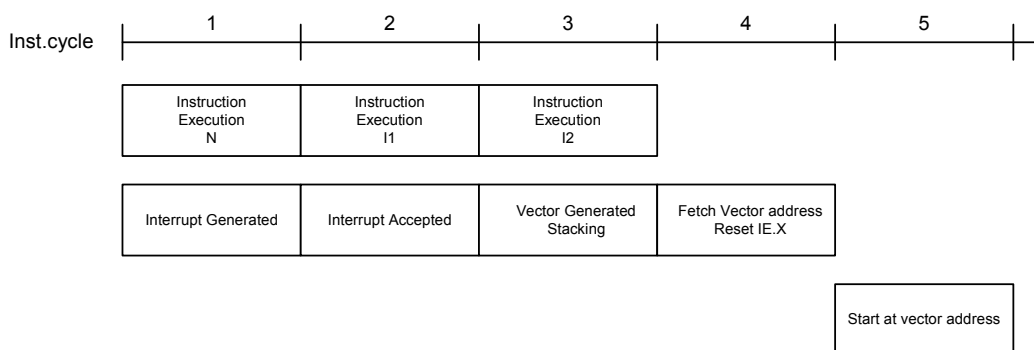
Interrupt Control Bits and Interrupt Service

The interrupt control flags are mapped on \$00 and \$01 of the system register. They can be accessed or tested by the program. Those flags are clear to "0" at initialization by the chip reset.

System Register

Address	Bit 3	Bit 2	Bit 1	Bit 0	R/W	Remarks
\$00	IEAD	IET0	-	IEP	R/W	Interrupt enable flags register
\$01	IRQAD	IRQT0	-	IRQP	R/W	Interrupt request flags register

When IEx is set to "1" and the interrupt request is generated (IRQx is 1), the interrupt will be activated and vector address will be generated from the priority PLA corresponding to the interrupt sources. When an interrupt occurs, the PC and CY flag will be saved into stack memory and jump to interrupt service vector address. After the interrupt occurs, all interrupt enable flags (IEx) are clear to "0" automatically, so when IRQx is 1 and IEx is set to "1" again, the interrupt will be activated and vector address will be generated from the priority PLA corresponding to the interrupt sources.



Interrupt Servicing Sequence Diagram

Interrupt Nesting

During the CPU interrupt service, the user can enable any interrupt enable flag before returning from the interrupt. The servicing sequence diagram shows the next interrupt and the next nesting interrupt occurrences. If the interrupt request is ready and the instruction of execution N is IE enabled, then the interrupt will start immediately after the next two instruction executions. However, if instruction I1 or instruction I2 disables the interrupt request or enable flag, then the interrupt service will be terminated.

ADC Interrupt

Bit3 (IEAD) of system register \$00 is the ADC interrupt enable flag. When the ADC conversion is complete, it will generate an interrupt request (IRQAD = 1), if the ADC interrupt is enabled (IEAD = 1), an ADC interrupt service routine will start. The ADC interrupt can be used to wake the CPU from HALT mode.

Timer0 Interrupt

The input clock of Timer0 is based on system clock as Timer0 source. The timer overflow from \$FF to \$00 will generate an internal interrupt request (IRQT0 = 1). If the interrupt enable flag is enabled (IET0 = 1), a timer interrupt service routine will start. Timer interrupt can also be used to wake the CPU from HALT mode.

Port Falling Edge Interrupt

Only the digital input port can generate a port interrupt. The analog input can not generate an interrupt. The PORTA.3 input pin transitions from VDD to GND would generate an interrupt request (IRQP = 1). Port Interrupt can be used to wake the CPU from the HALT or STOP mode.



9. Analog/Digital Converter (ADC)

The 4 channels and the 10-bit resolution ADC converter are implemented in this micro-controller.

The ADC control registers can be used to define the A/D channel number, select analog channel, reference voltage and conversion clock, start A/D conversion, and set the end of A/D conversion flag. The A/D conversion result register byte is read-only.

The approach for A/D conversion:

- Set analog channel and select reference voltage. (When using the external reference voltage, keep in mind that any analog input voltage must not exceed VREF)
- Operating ADC module and select the converted analog channel.
- Set A/D conversion clock source.
- GO/DONE = 1, start A/D conversion.

Systems Register \$07

Address	Bit 3	Bit 2	Bit 1	Bit 0	R/W	Remarks
\$07	VREFS	CH1	CH0	ADCON	R/W	Bit0: ADC module control register Bit2-1: ADC channel control register Bit3: ADC reference voltage control register
	X	X	X	0	R/W	Disable ADC module
	X	X	X	1	R/W	Enable ADC module
	X	0	0	X	R/W	ADC channel AN0
	X	0	1	X	R/W	ADC channel AN1
	X	1	0	X	R/W	ADC channel AN2
	X	1	1	X	R/W	ADC channel AN3
	0	X	X	X	R/W	Internal reference voltage (VREF = VDD)
	1	X	X	X	R/W	External reference voltage

System Register \$08: ADC Port Configuration Control Register

Address	Bit 3	Bit 2	Bit 1	Bit 0	R/W	Remarks
\$08	ACR3	ACR2	ACR1	ACR0	R/W	Bit3-0: ADC port configuration control register
	X	X	X	0	R/W	Select PORTA.0 as normal I/O
	X	X	X	1	R/W	Select PORTA.0 as ADC port (AN0)
	X	X	0	X	R/W	Select PORTA.1 as normal I/O
	X	X	1	X	R/W	Select PORTA.1 as ADC port (AN1)
	X	0	X	X	R/W	Select PORTA.2 as normal I/O
	X	1	X	X	R/W	Select PORTA.2 as ADC port (AN2)
	0	X	X	X	R/W	Select PORTB.0 as normal I/O
	1	X	X	X	R/W	Select PORTB.0 as ADC port (AN3)

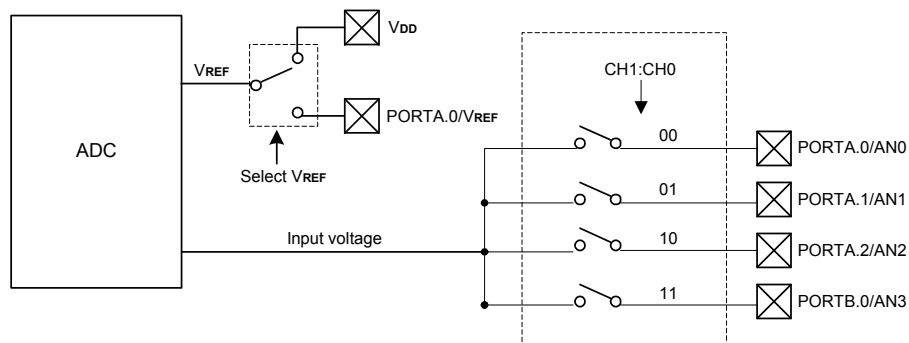


System Register \$09: ADC Control Register

Address	Bit 3	Bit 2	Bit 1	Bit 0	R/W	Remarks
\$09	GO/ DONE	TADC1	TADC0	ADCS	R/W	Bit0: ADC conversion time control register Bit2-1: ADC clock period control register Bit3: ADC status flag register
	X	X	X	0	R/W	A/D Conversion Time = 15 t _{AD}
	X	X	X	1	R/W	A/D Conversion Time = 114 t _{AD}
	X	0	0	X	R/W	ADC clock period t _{AD} = tsys(tsys = tosc*16)
	X	0	1	X	R/W	ADC clock period t _{AD} = 2tsys(tsys = tosc*16)
	X	1	0	X	R/W	ADC clock period t _{AD} = 4tsys(tsys = tosc*16)
	X	1	1	X	R/W	ADC clock period t _{AD} = 8tsys(tsys = tosc*16)
	0	X	X	X	R/W	A/D conversion is completed or not in processing
	1	X	X	X	R/W	Set "1" to start A/D conversion, keep GO/ <u>DONE</u> = 1 when A/D conversion is in processing

System Register \$0A - \$0C: ADC Data Register

Address	Bit 3	Bit 2	Bit 1	Bit 0	R/W	Remarks
\$0A	A2	A1	A0	-	R	ADC data low nibble
\$0B	A6	A5	A4	A3	R	ADC data medium nibble
\$0C	-	A9	A8	A7	R	ADC data high nibble



ADC Block Diagram

Notes:

- Select A/D clock period t_{AD}, make sure that 1μs ≤ t_{AD} ≤ 33.4μs.
- When the A/D conversion is complete, an ADC interrupt occurs (if the ADC interrupt is enabled).
- The analog input channels must have their corresponding PXCR (X = A, B) bits selected as inputs.
- If select I/O port as analog input, the I/O functions and pull-high resistor are disabled.
- Bit GO/DONE is automatically cleared by hardware when the A/D conversion is complete.
- Clearing the GO/DONE bit during a conversion will abort the current conversion.
- The A/D result register will NOT be updated with the partially completed A/D conversion sample.
- 16-t_{osc} wait is required before the next acquisition is started.
- ADC could keep on working in HALT mode, and would stop automatic while executing "STOP" instruction.
- ADC could wake-up the device from HALT mode (if the ADC interrupt is enabled).



10. Pulse Width Modulation (PWM)

The SH67P847 consists of one 9-bit PWM module. The PWM module can provide the pulse width modulation waveform with the period and the duty being controlled, individually. The PWMC is used to control the PWM module operation with proper clocks. The PWMP is used to control the period cycle of the PWM module output. And the PWMD is used to control the duty in the waveform of the PWM module output.

System Register \$15: PWM Control Register (PWMC)

Address	Bit 3	Bit 2	Bit 1	Bit 0	R/W	Remarks
\$15	PWMS	TCK1	TCK0	PWM_EN	R/W	Bit0: PWM output-enable control register Bit2-1: PWM clock control register Bit3: PWM output mode of duty cycle control register
	X	X	X	0	R/W	Shared with I/O port (Power on initial)
	X	X	X	1	R/W	Shared with PWM
	X	0	0	X	R/W	PWM clock = tosc (Power on initial)
	X	0	1	X	R/W	PWM clock = 2 tosc
	X	1	0	X	R/W	PWM clock = 4 tosc
	X	1	1	X	R/W	PWM clock = 8 tosc
	0	X	X	X	R/W	PWM output normal mode of duty cycle (high active) (Power on initial)
	1	X	X	X	R/W	PWM output negative mode of duty cycle (low active)

The PWM output pin is shared with PORTB.1.

System Register \$16 - \$17: PWM Period Control Register (PWMP)

Address	Bit 3	Bit 2	Bit 1	Bit 0	R/W	Remarks
\$16	PP.3	PP.2	PP.1	PP.0	R/W	PWM period low nibble register
\$17	PP.7	PP.6	PP.5	PP.4	R/W	PWM period high nibble register

PWM output period cycle = [PP.7, PP.0] X PWM clock.

When [PP.7, PP.0] = 00H, PWM will output GND if the PWMS bit is set to "0".

When [PP.7, PP.0] = 00H, PWM will output high level if the PWMS bit is set to "1".

System Register \$18 - \$1A: PWM Duty Control Register (PWMD)

Address	Bit 3	Bit 2	Bit 1	Bit 0	R/W	Remarks
\$18	-	-	-	PDF.0	R/W	PWM duty fine tune nibble register
\$19	PD.3	PD.2	PD.1	PD.0	R/W	PWM duty low nibble register
\$1A	PD.7	PD.6	PD.5	PD.4	R/W	PWM duty high nibble register

Average PWM output duty cycle = ([PD.7, PD0]) X PWM clock.

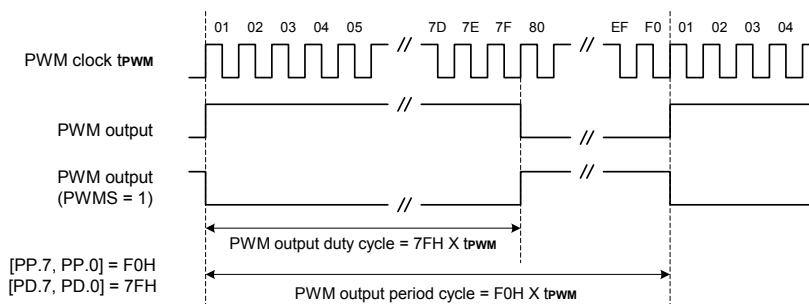
If [PP.7, PP.0] ≤ [PD.7, PD.0], PWM outputs high when the PWMS bit is set to "0".

If [PP.7, PP.0] > [PD.7, PD.0], PWM outputs GND level when the PWMS bit is set to "1".

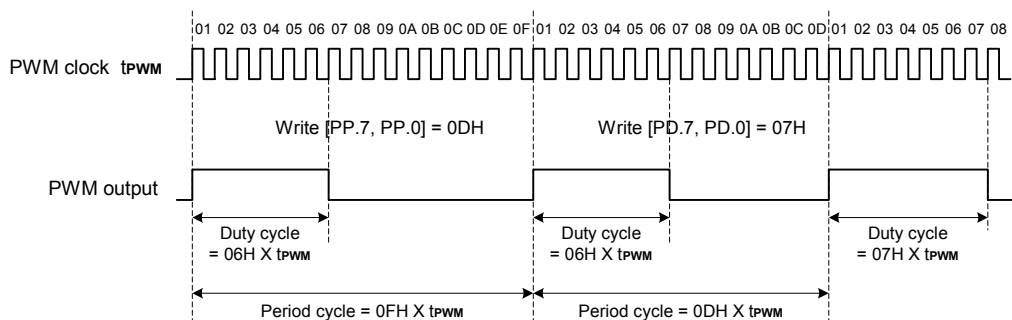


Programming Notes:

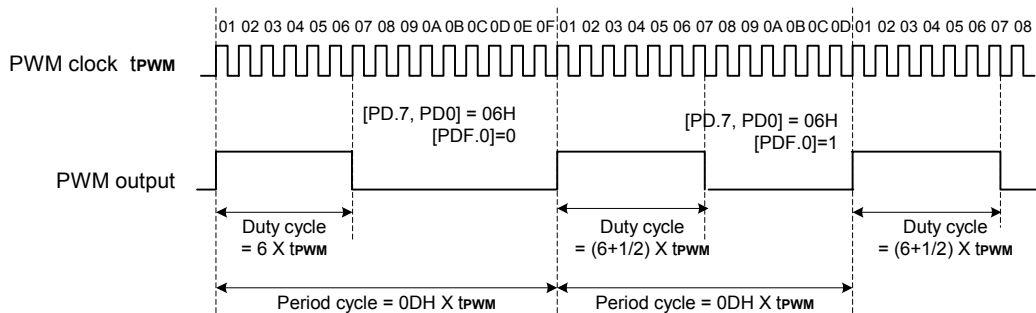
- Select the PWM module system clock.
- Set the PWM period cycle by writing proper value to the PWM period control register (PWMP). First set the low nibble, then the high nibble.
- Set the PWM duty cycle by writing proper value to the PWM duty control register (PWMD). First set the fine tune nibble, then the low nibble, then the high nibble.
- Select the PWM output mode of the duty cycle by writing the PWMS bit in the PWM control register (PWMC).
- To output the desired PWM waveform, enable the PWM module by writing "1" to the PWM_EN bit in the PWM control register (PWMC).
- If the PWM period cycle or duty cycle is needed to be changed, the writing flow should be followed as described in step b or step c. Then the revised data are loaded into the re-load counter and the PWM module starts counting at next period.



PWM Output Example



PWM Output Period or Duty Cycle Changing Example



PWM Fine Tune Example

**11. Low Voltage Reset (LVR)**

The LVR function is to monitor the supply voltage and generate an internal reset in the device. It is typically used in AC line applications or large battery where large loads may be switched in and cause the device voltage to temporarily fall below the specified operating minimum.

The LVR function is selected by Code option.

The LVR circuit has the following functions when LVR function is enabled:

- Generates a system reset when $V_{DD} \leq V_{LVR}$.
- Cancels the system reset when $V_{DD} > V_{LVR}$.

Here, V_{DD} is the Power voltage; V_{LVR} is the LVR detect Voltage.

12. Watchdog Timer (WDT)

The watchdog timer is a down-count counter, and its clock source is an independent built-in RC oscillator, so that it will always run even in the STOP mode. The watchdog timer automatically generates a device reset when it overflows. It can be enabled or disabled permanently by using the code option.

The watchdog timer control bits (\$1E Bit2 - Bit0) are used to select different overflow frequency. The watchdog timer overflow flag (\$1E Bit3) will be automatically set to "1" by hardware when the watchdog timer overflows. By reading or writing the system register \$1E, the watchdog timer should re-count before the overflow happens.

System Register \$1E: Watchdog Timer (WDT)

Address	Bit 3	Bit 2	Bit 1	Bit 0	R/W	Remarks
\$1E	WDT	WDT.2	WDT.1	WDT.0	R/W R	Bit2-0: Watchdog timer control register Bit3: Watchdog timer overflow flag register
	X	0	0	0	R/W	Watchdog timer-out period = 4096ms
	X	0	0	1	R/W	Watchdog timer-out period = 1024ms
	X	0	1	0	R/W	Watchdog timer-out period = 256ms
	X	0	1	1	R/W	Watchdog timer-out period = 128ms
	X	1	0	0	R/W	Watchdog timer-out period = 64ms
	X	1	0	1	R/W	Watchdog timer-out period = 16ms
	X	1	1	0	R/W	Watchdog timer-out period = 4ms
	X	1	1	1	R/W	Watchdog timer-out period = 1ms
	0	X	X	X	R	No watchdog timer overflow reset
	1	X	X	X	R	Watchdog timer overflow, WDT reset happens

Note: Watchdog timer overflow period is valid for $V_{DD} = 5V$.

13. HALT and STOP Mode

After the execution of HALT instruction, SH67P847 will enter the HALT mode. In the HALT mode, CPU will stop operating. But peripheral circuit (Timer, ADC, ...) will keep status.

After the execution of STOP instruction, SH67P847 will enter the STOP mode. The whole chip (including oscillator) will stop operating.

In the HALT mode, SH67P847 can be waked up if any interrupt occurs.

In the STOP mode, SH67P847 can be waked up if port interrupt occurs.

When CPU is awaked from the HALT/STOP by any interrupt source, it will execute the relevant interrupt serve subroutine at first. Then the instruction next to HALT/STOP is executed.



14. Warm-up Timer

The device has a built-in warm-up timer to eliminate unstable state of initial oscillation when oscillator starts oscillating in the following conditions:

14.1. Power-on Reset

In RC oscillator mode, $f_{osc} = 16\text{MHz}$, the warm-up counter prescaler divide ratio is $1/2^{15}$ (32768).

14.2. Wake up from Stop Mode

In RC oscillator mode, $f_{osc} = 16\text{MHz}$, the warm-up counter prescaler divide ratio is $1/2^8$ (256).

15. Code Option

15.1. Watchdog Timer

OP_WDT:

0 = Disable (Default)

1 = Enable

15.2. Low Voltage Reset

OP_LVR:

0 = Disable (Default)

1 = Enable

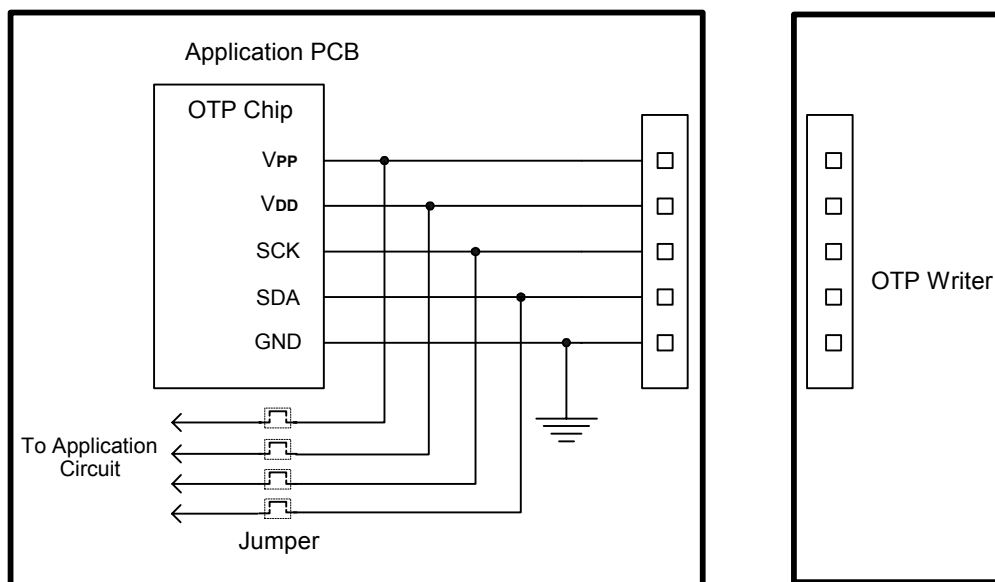


In System Programming Notes for OTP

The In System Programming technology is valid for OTP chip.

The Programming Interface of the OTP chip must be set on user's application PCB, and users can assemble all components including the OTP chip in the application PCB before programming the OTP chip. Of course, it's accessible bonding OTP chip only first, and then programming code and finally assembling other components.

Since the programming timing of Programming Interface is very sensitive, therefore four jumpers are needed (VDD, VPP, SDA, SCK) to separate the programming pins from the application circuit as shown in the following diagram.



The recommended steps are the followings:

- (1) The jumpers are open to separate the programming pins from the application circuit before programming the chip.
- (2) Connect the programming interface with OTP writer and begin programming.
- (3) Disconnect OTP writer and shorten these jumpers when programming is completed.

For more detail information, please refer to the OTP writer user manual.

**Instruction Set**

All instructions are one cycle and one-word instructions. The characteristic is memory-oriented operation.

1. Arithmetic and Logical Instruction**1.1. Accumulator Type**

Mnemonic	Instruction Code	Function	Flag Change
ADC X (, B)	00000 0bbb xxx xxxx	AC ←- Mx + AC + CY	CY
ADCM X (, B)	00000 1bbb xxx xxxx	AC, Mx ←- Mx + AC + CY	CY
ADD X (, B)	00001 0bbb xxx xxxx	AC ←- Mx + AC	CY
ADDM X (, B)	00001 1bbb xxx xxxx	AC, Mx ←- Mx + AC	CY
SBC X (, B)	00010 0bbb xxx xxxx	AC ←- Mx + -AC + CY	CY
SBCM X (, B)	00010 1bbb xxx xxxx	AC, Mx ←- Mx + -AC + CY	CY
SUB X (, B)	00011 0bbb xxx xxxx	AC ←- Mx + -AC + 1	CY
SUBM X (, B)	00011 1bbb xxx xxxx	AC, Mx ←- Mx + -AC + 1	CY
EOR X (, B)	00100 0bbb xxx xxxx	AC ←- Mx ⊕ AC	
EORM X (, B)	00100 1bbb xxx xxxx	AC, Mx ←- Mx ⊕ AC	
OR X (, B)	00101 0bbb xxx xxxx	AC ←- Mx AC	
ORM X (, B)	00101 1bbb xxx xxxx	AC, Mx ←- Mx AC	
AND X (, B)	00110 0bbb xxx xxxx	AC ←- Mx & AC	
ANDM X (, B)	00110 1bbb xxx xxxx	AC, Mx ←- Mx & AC	
SHR	11110 0000 000 0000	0 → AC [3], AC[0] → CY; AC shift right one bit	CY

1.2. Immediate Type

Mnemonic	Instruction Code	Function	Flag Change
ADI X, I	01000 iiiii xxx xxxx	AC ←- Mx + I	CY
ADIM X, I	01001 iiiii xxx xxxx	AC, Mx ←- Mx + I	CY
SBI X, I	01010 iiiii xxx xxxx	AC ←- Mx + -I + 1	CY
SBIM X, I	01011 iiiii xxx xxxx	AC, Mx ←- Mx + -I + 1	CY
EORIM X, I	01100 iiiii xxx xxxx	AC, Mx ←- Mx ⊕ I	
ORIM X, I	01101 iiiii xxx xxxx	AC, Mx ←- Mx I	
ANDIM X, I	01110 iiiii xxx xxxx	AC, Mx ←- Mx & I	

1.3. Decimal Adjustment

Mnemonic	Instruction Code	Function	Flag Change
DAA X	11001 0110 xxx xxxx	AC, Mx ←- Decimal adjust for add.	CY
DAS X	11001 1010 xxx xxxx	AC, Mx ←- Decimal adjust for sub.	CY



2. Transfer Instruction

Mnemonic	Instruction Code	Function	Flag Change
LDA X (, B)	00111 0bbb xxx xxxx	AC <- Mx	
STA X (, B)	00111 1bbb xxx xxxx	Mx <- AC	
LDI X, I	01111 iii xxx xxxx	AC, Mx <- I	

3. Control Instruction

Mnemonic	Instruction Code	Function	Flag Change
BAZ X	10010 xxxx xxx xxxx	PC <- X, if AC = 0	
BNZ X	10000 xxxx xxx xxxx	PC <- X, if AC ≠ 0	
BC X	10011 xxxx xxx xxxx	PC <- X, if CY = 1	
BNC X	10001 xxxx xxx xxxx	PC <- X, if CY ≠ 1	
BA0 X	10100 xxxx xxx xxxx	PC <- X, if AC (0) = 1	
BA1 X	10101 xxxx xxx xxxx	PC <- X, if AC (1) = 1	
BA2 X	10110 xxxx xxx xxxx	PC <- X, if AC (2) = 1	
BA3 X	10111 xxxx xxx xxxx	PC <- X, if AC (3) = 1	
CALL X	11000 xxxx xxx xxxx	ST <- CY, PC + 1 PC <- X (Not include p)	
RTNW H, L	11010 000h hhh IIII	PC <- ST; TBR <- hhhh, AC <- IIII	
RTNI	11010 1000 000 0000	CY, PC <- ST	CY
HALT	11011 0000 000 0000		
STOP	11011 1000 000 0000		
JMP X	1110p xxxx xxx xxxx	PC <- X (Include p)	
TJMP	11110 1111 111 1111	PC <- (PC11-PC8) (TBR) (AC)	
NOP	11111 1111 111 1111	No Operation	

Where,

PC	Program Counter	I	Immediate Data
AC	Accumulator	⊕	Logical Exclusive OR
-AC	Complement of Accumulator		Logical OR
CY	Carry Flag	&	Logical AND
Mx	Data Memory	bbb	RAM Bank
p	ROM Page	B	RAM Bank
ST	Stack	TBR	Table Branch Register



Electrical Characteristics

Absolute Maximum Ratings*

DC Supply Voltage -0.3V to +7.0V
 Input/Output Voltage GND - 0.3V to VDD + 0.3V
 Operating Ambient Temperature -40°C to +85°C
 Storage Temperature -55°C to +125°C

***Comments**

Stresses exceed those listed under "**Absolute Maximum Ratings**" may cause permanent damage to this device. These are stress ratings only. Functional operation of this device at these or any other conditions above those indicated in the operational sections of this specification is not implied or intended. Exposure to the absolute maximum rating conditions for extended periods may affect device reliability.

DC Electrical Characteristics (VDD = 3.3 - 5.5V, GND = 0V, TA = 25°C, unless otherwise specified)

Parameter	Symbol	Min.	Typ.*	Max.	Unit	Condition
Operating Voltage	VDD	3.3	5.0	5.5	V	fosc = 16MHz (fsys = 1MHz)
Operating Current	IOP	-	3	4.5	mA	fosc = 16MHz (fsys = 1MHz), VDD = 5.0V All output pins unload, execute NOP instruction, WDT off, ADC disable, LVR off.
Stand by Current (HALT)	ISB1	-	-	1.5	mA	fosc = 16MHz (fsys = 1MHz), VDD = 5.0V All output pins unload, (including all digital input unfloating) CPU off (execute HALT instruction), WDT off, ADC disable, LVR off.
Stand by Current (STOP)	ISB2	-	-	1	µA	fosc = 16MHz (fsys = 1MHz), VDD = 5.0V All output pins unload (including all digital input unfloating), CPU off (execute STOP instruction), WDT off, ADC disable, LVR off.
WDT Current	IWDT	-	-	20	µA	fosc = 16MHz (fsys = 1MHz), VDD = 5.0V All output pins unload (including all digital input unfloating), CPU off (execute STOP instruction), WDT on, ADC disable, LVR off.
Input Low Voltage	VIL1	GND	-	0.3 X VDD	V	I/O Ports (except PORTA.3)
	VIL2	GND	-	0.2 X VDD	V	PORTA.3
Input High Voltage	VIH1	0.7 X VDD	-	VDD	V	I/O Ports (except PORTA.3)
	VIH2	0.8 X VDD	-	VDD	V	PORTA.3
Input Leakage Current	IIL	-1	-	1	µA	Input pad, VIN = VDD or GND, VDD = 5.0V
Output Leakage Current	IOL	-1	-	1	µA	PORTA.3, VDD = 5.0V, VOUT = VDD
Output High Voltage	VOH	VDD - 0.7	-	-	V	I/O Ports, IOH = -5mA (VDD = 5.0V)
Output Low Voltage	VOL	-	-	GND + 0.6	V	I/O Ports, IOL = 5mA (VDD = 5.0V)
Pull High Resistor	RPH	-	30	-	kΩ	Pull-high resistor (VDD = 5.0V)

*: Data in "Typ." column is at 5.0V, 25°C, unless otherwise specified.

Maximum value of the supply current to VDD is 25mA.

Maximum value of the output current from GND is 25mA.



AC Electrical Characteristics

(VDD = 3.3V - 5.5V, GND = 0V, TA = 25°C, fosc = 16MHz (fsys = 1MHz), unless otherwise specified.)

Parameter	Symbol	Min.	Typ.	Max.	Unit	Condition
WDT Period	tWDT	1	-	-	ms	VDD = 5.0V
Frequency Variation (RC)	fosc	15.2	16	16.8	MHz	Internal RC Oscillator, VDD = 5.0V TA = 5°C - 45°C, including chip to chip variation
Frequency Stability (RC)	ΔF /F	-	-	2	%	VDD = 3.3V - 5.5V, TA = 25°C F(3.3V)-F(5V) /F(5V)
Instruction Cycle Time	tcy	-	1	-	μs	fosc = 16MHz (fsys = 1MHz)

ADC Converter Electrical Characteristics

(VDD = 3.3V - 5.5V, GND = 0V, TA = 25°C, fosc = 16MHz (fsys = 1MHz), unless otherwise specified.)

Parameter	Symbol	Min.	Typ.	Max.	Unit	Condition
Resolution	NR	-	-	10	bit	GND ≤ VAIN ≤ VREF
Reference Voltage	VREF	2.4	-	VDD	V	
ADC Input Voltage	VAIN	GND	-	VREF	V	
ADC Input Resistor	RAIN	2000	-	-	kΩ	VIN = 5.0V
VREF Input Resistor	RREF	180	-	-	kΩ	VIN = 5.0V
Differential Nonlinear Error	EDNL	-	-	±1	LSB	VREF = VDD = 5.0V
Integral Nonlinear Error	EINL	-	-	±2	LSB	VREF = VDD = 5.0V, GND ≤ VAIN ≤ 4.8V
Full Scale Error	EF	-	-	±5	LSB	VREF = VDD = 5.0V
Offset Error	EZ	-	-	±1	LSB	VREF = VDD = 5.0V
ADC Clock Period	tAD	1	-	8	μs	fosc = 16MHz (fsys = 1MHz)
ADC Conversion Time	tcnv1	-	15	-	tAD	Set ADCS = 0
ADC Conversion Time	tcnv2	-	114	-	tAD	Set ADCS = 1

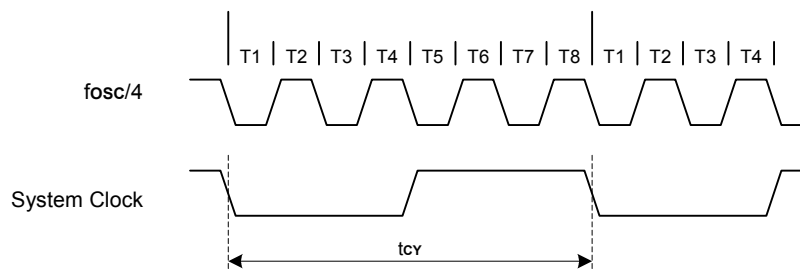
Low Voltage Reset Electrical Characteristics

(GND = 0V, TA = 25°C, fosc = 16MHz (fsys = 1MHz), unless otherwise specified.)

Parameter	Symbol	Min.	Typ.	Max.	Unit	Condition
LVR Voltage	VLVR1	3.3	-	3.7	V	LVR enable

Timing Waveform

System Clock Timing Waveform

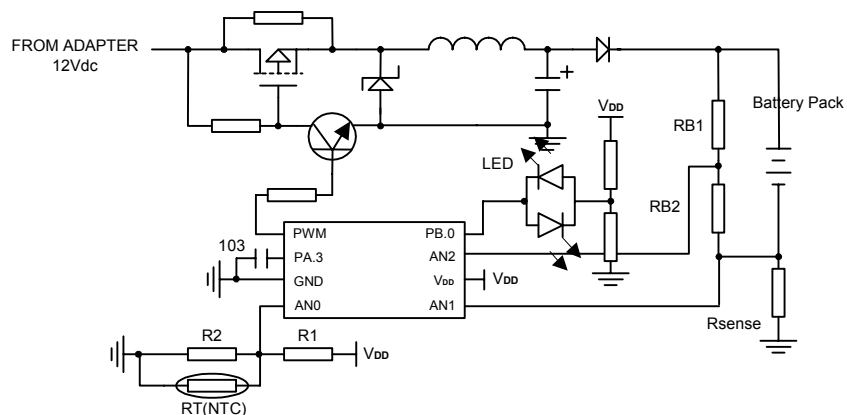




Application Circuits (For Reference Only):

Application 1 (Battery Charger)

- (1) Operating Voltage: 5.0V
- (2) Oscillator: Internal RC
- (3) PORTA.2 - PORTA.0 are used as ADC channel for sampling battery voltage, charge current and battery temperature
- (4) PORTB.0 is used as LED driver I/O
- (5) PORTB.1 is used as control I/O
- (6) For good EFT performance, a 10000pF ceramic capacity should be connected between PORTA.3 and GND





SH67P847

Ordering Information

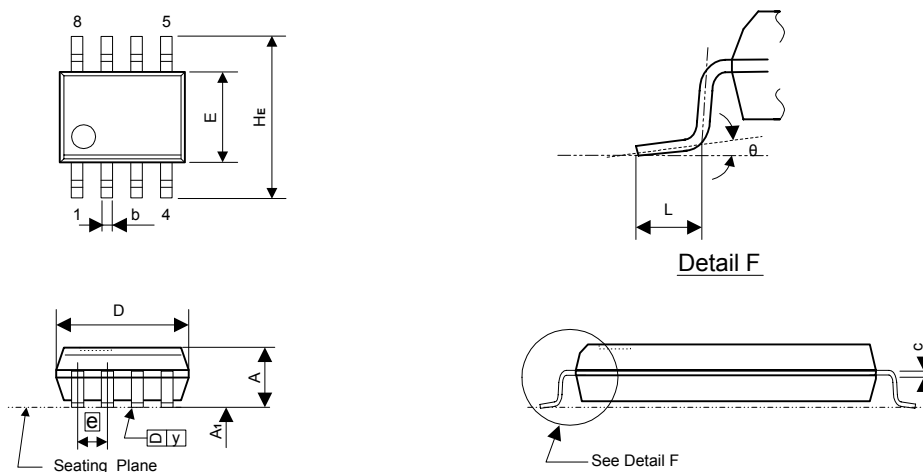
Part No.	Package
SH67P847M	8L SOP



Package Information

SOP 8L Outline Dimensions

unit: inches/mm



Symbol	Dimensions in inches	Dimensions in mm
A	0.069 Max.	1.75 Max.
	0.053 Min.	1.35 Min.
A1	0.010 Max.	0.25 Max.
	0.004 Min.	0.10 Min.
b	0.016 Typ.	0.41 Typ.
c	0.008 Typ.	0.20 Typ.
D	0.196 Max.	4.98 Max.
	0.189 Min.	4.80 Min.
E	0.157 Max.	3.99 Max.
	0.150 Min.	3.81 Min.
\bar{e}	0.050 Typ.	1.27 Typ.
HE	0.244 Max.	6.20 Max.
	0.228 Min.	5.79 Min.
L	0.050 Max.	1.27 Max.
	0.016 Min.	0.41 Min.
y	0.004 Max.	0.10 Max.
θ	0° ~ 8°	0° ~ 8°

Notes:

1. The maximum value of dimension D includes end flash.
2. Dimension E does not include resin fins.



SH67P847

Data Sheet Revision History

Version	Content	Date
1.0	Original	Jul. 2008